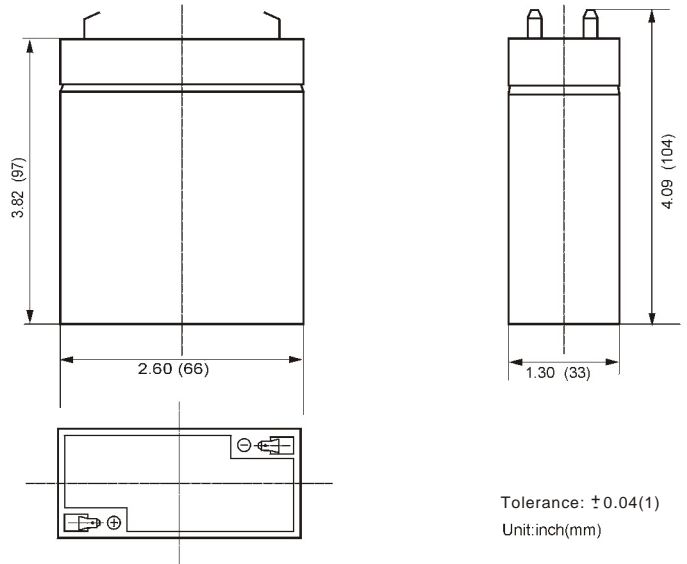


PS2.5-6

6V 2.5AH



■ Specifications

Nominal Voltage		6V
Rated Capacity (20 hour rate)		2.5Ah
Dimensions	Total Height (with terminals)	4.09 inches (104mm)
	Height	3.82 inches (97mm)
	Length	2.60 inches (66mm)
	Width	1.30 inches (33mm)
Weight		Approx. 1.34lbs(0.61kg)

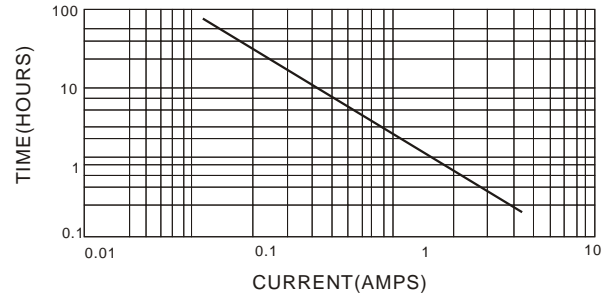
■ Characteristics

Capacity* 77°F(25°C)	20 hour rate (125mA)	2.5Ah
	10 hour rate (240mA)	2.4Ah
	5 hour rate (400mA)	2.0Ah
	1 hour rate (1800mA)	1.8Ah
	15 minute Rate (3.75A)	0.94Ah
Internal Resistance	Full charged Battery 77°F(25°C)	40mW
Capacity affected by Temperature (20 hour rate)	104°F(40°C)	102%
	77°F(25°C)	100%
	32°F(0°C)	85%
	5°F(-15°C)	65%
Self-Discharge 68°F(20°C)	Capacity after 3 month storage	90%
	Capacity after 6 month storage	80%
	Capacity after 12 month storage	60%
Max. Discharge Current 77°F(25°C)	37.5A (5s)	
Terminal	T1	
Charge (Constant Voltage)	Cycle	Initial Charging Current less than 1.12A Voltage 7.25 ~7.45V/6V77°F(25°C)
	Float	Voltage 6.8~6.9V/6V77°F(25°C)

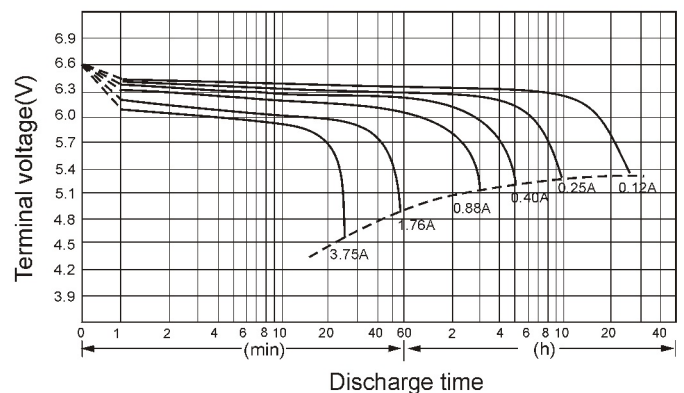
Constant Wattage Discharge (Watts/Cell @ 25°C)

Cut off voltage V/cell	5M	10M	15M	30M	45M	60M
1.60V	196	126	966	595	417	336
1.65V	190	123	952	585	412	334
1.70V	179	122	944	546	398	328
1.75V	174	121	932	524	384	322
1.80V	165	11.7	868	491	369	304

DISCHARGE CURRENT V'S TIME



Discharge curves 77°F(25°C)*



*The above data are average values, and can be obtained within 3 charge/discharge cycles. These are not minimum values.