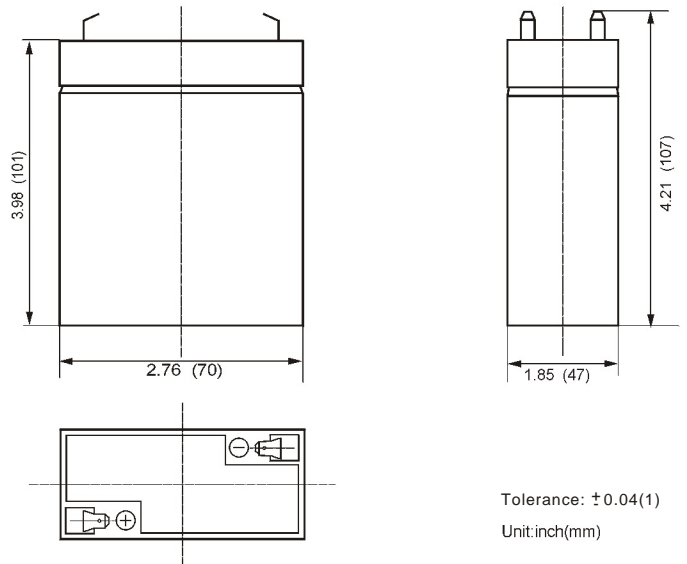


PS4.5-6

6V 4.5AH



Specifications

Nominal Voltage		6V
Rated Capacity (20 hour rate)		4.5Ah
Dimensions	Total Height (with terminals)	4.21 inches (107mm)
	Height	3.98 inches (101mm)
	Length	2.76 inches (70mm)
	Width	1.85 inches (47mm)
Weight		Approx. 1.87lbs(0.85kg)

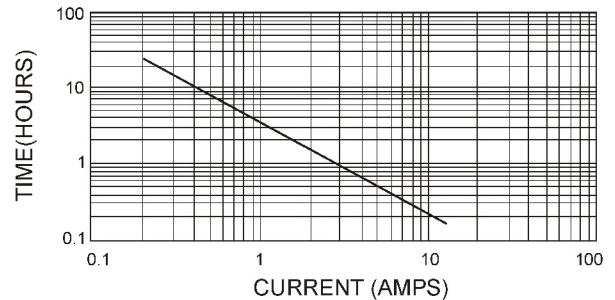
Characteristics

Capacity* 77°F(25°C)	20 hour rate (225mA)	4.5Ah
	10 hour rate (420mA)	4.2Ah
	5 hour rate (720mA)	3.6Ah
	1 hour rate (3060mA)	3.06Ah
	15 minute Rate (7.87A)	1.97Ah
Internal Resistance	Full charged Battery 77°F(25°C)	22mW
Capacity affected by Temperature (20 hour rate)	104°F(40°C)	102%
	77°F(25°C)	100%
	32°F(0°C)	85%
	5°F(-15°C)	65%
Self-Discharge 68°F(20°C)	Capacity after 3 month storage	90%
	Capacity after 6 month storage	80%
	Capacity after 12 month storage	60%
Max. Discharge Current 77°F(25°C)	67.5A (5s)	
Terminal		T1
Charge (Constant Voltage)	Cycle	Initial Charging Current less than 1.6A Voltage 7.25 ~7.45V/6V77°F(25°C)
	Float	Voltage 6.8~6.9V/6V77°F(25°C)

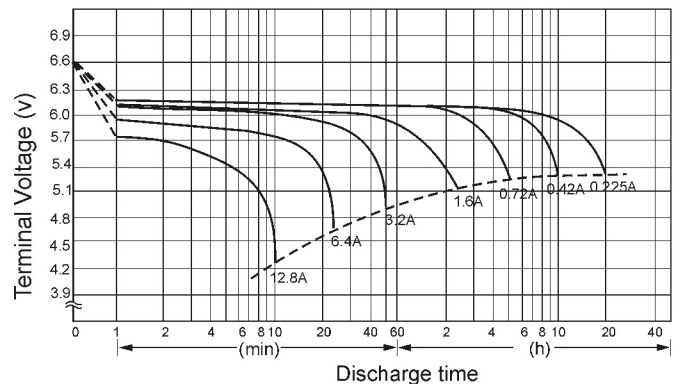
Constant Wattage Discharge (Watts/Cell @ 25°C)

Cut off voltage V/cell	5M	10M	15M	30M	45M	60M
1.60V	28.0	18.0	13.8	9.30	6.71	5.40
1.65V	27.2	17.6	13.6	9.15	6.62	5.37
1.70V	27.0	17.4	13.4	8.55	6.40	5.27
1.75V	25.7	17.3	13.3	8.28	6.18	5.18
1.80V	23.6	16.8	12.4	7.89	5.93	4.89

DISCHARGE CURRENT V'S TIME



Discharge curves 77°F(25°C)*



*The above data are average values, and can be obtained within 3 charge/discharge cycles. These are not minimum values.